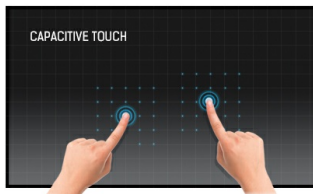




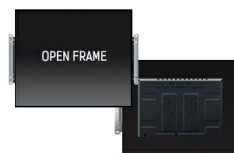
## 15" Open Frame PCAP 10pt touch monitor

The ProLite TF1534MC-B6X 15" multi touch screen is based on projective capacitive technology which thanks to a glass overlay covering the screen guarantees high durability, scratch-resistance and perfect picture performance. The touch function remains unaffected even if the glass is scratched. The screen is IP65 rated which means it is dust and water resistant from the front. For ease of installation in any environment the ProLite TF1534MC-B6X comes equipped with external mounting brackets making it an ideal solution for kiosk integrators and Instore Retail.



### Touch technology - Capacitive

This technology uses a sensor-grid of micro-fine wires integrated into the glass that covers the screen. Touch is detected because electrical characteristics of the sensor grid change when human finger is placed on the glass. Thanks to the glass overlay this technology is highly durable, and the touch function remains unaffected even if the glass is scratched. It offers perfect picture performance and will work with human finger (also latex gloved) and stylus-pen.



### Open frame brackets

This open frame monitor comes equipped with external mounting brackets. It guarantees easy installation and makes it an ideal solution for kiosk integrators and Instore Retail.

## 01 DISPLAY CHARACTERISTICS

Design	Open Frame
Diagonal	15", 38cm
Panel	TN LED
Native resolution	1024 x 768 (0.8 megapixel)
Aspect ratio	4:3
Brightness	370 cd/m <sup>2</sup> typical
Brightness	330 cd/m <sup>2</sup> with touch
Static contrast	700:1 with touch
Light transmittance	90%
Response time	8ms
Viewing zone	horizontal/vertical: 170°/160°, right/left: 85°/85°, up/down: 80°/80°
Colour support	16.7mIn 8bit (6bit + Hi-FRC)
Horizontal Sync	31.4 - 60KHz
Vertical Sync	50 - 75Hz
Viewable area W x H	304 x 228mm, 12 x 9"
Pixel pitch	0.297mm
Bezel colour and finish	black, matte

## 02 TOUCH

Touch technology	projective capacitive
Touch points	10 (HID, only with supported OS)
Touch method	stylus, finger, glove (latex)
Touch interface	USB
Supported operating systems	All iiyama monitors are Plug & Play and compatible with Windows and Linux. For details regarding the supported OS for the touch models, please refer to the driver instruction file available in the downloads section.

## 03 INTERFACES / CONNECTORS / CONTROLS

Analog signal input	VGA x1
Digital signal input	HDMI x1 DisplayPort x1
HDCP	yes

## 04 FEATURES

Extra	anti-fingerprint coating
Water and dust protection	IP65 (front)
OSD key lock	yes

## 05 GENERAL

OSD languages	EN, DE, FR, ES, IT, CN, JP
Control buttons	Menu, Scroll up/ Brightness, Scroll down/ Contrast, Select, Power
User controls	picture (contrast, brightness, H.position, V.position, phase, clock, auto adjust), advanced (colour temp., sharpness), OSD (timeout, position, H.position, V.position), option (reset, language, source select, display mode)
Plug&Play	DDC2B

## 06 MECHANICAL

VESA mounting 100 x 100mm

## 07 ACCESSORIES INCLUDED

Cables	power (1.8m), USB (1.8m), HDMI (1.8m), DP (1.8m)
Guides	quick start guide, safety guide
Other	AC adapter, Touch Panel Driver Disk (CD-ROM), L-Bracket

## 08 POWER MANAGEMENT

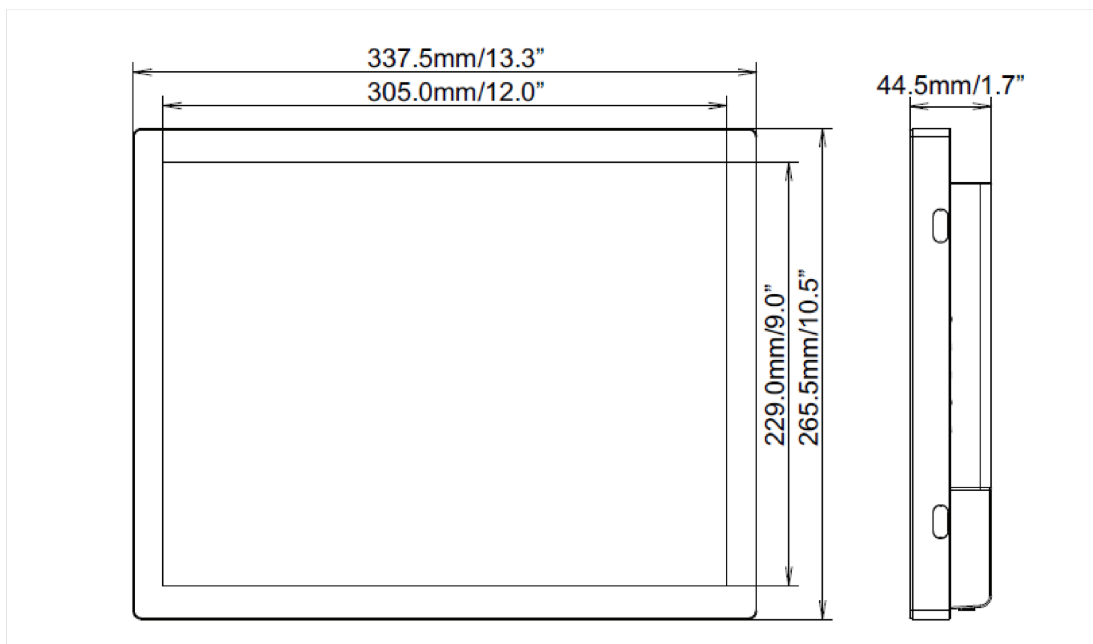
Power supply unit	external
Power supply	DC 12 V
Power usage	9W typical, 2W stand by, 2W off mode

## 09 SUSTAINABILITY

Regulations	CB, CE, TÜV-Bauart, EAC, cULus
Other	REACH SVHC above 0.1%: Lead

## 10 DIMENSIONS / WEIGHT

Product dimensions W x H x D	337.5 x 265.5 x 44.5mm
Weight (without box)	2.7kg
EAN code	4948570116812



## 11 EU ENERGY EFFICIENCY LABEL

Manufacturer

iiyama

*All trademarks and registered trademarks acknowledged. E & O E. Specification subject to change without notice. All LCD's comply with ISO-9241-307:2008 in connection with pixel defects.*

© IIYAMA CORPORATION. ALL RIGHTS RESERVED