



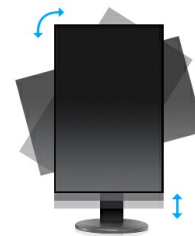
### 23" IPS monitor with ultra flat front and height adjustable stand

ProLite XUB2390HS is a 23" LED monitor with latest IPS Panel technology considered to be the best all round panel type. It offers accurate and consistent colour reproduction with wide viewing angles and a fast response time. A truly ergonomic stand including pivot function makes the XUB2390HS an excellent choice for photographic design, web design, standard office use. It's the perfect choice for multi-monitor applications.



IPS

IPS technology offers higher contrast, darker blacks and much better viewing angles than standard TN technology. The screen will look good no matter what angle you look at it.



HAS + Pivot

With a height adjustable stand you will create an ergonomic work posture and position that meets all health and safety requirements. This will not only prevent any health issues but will also increase your productivity. The pivot function allows the screen to rotate from landscape to portrait orientation. This functionality can be useful if the application requires more height than width.

## 01 DISPLAY CHARACTERISTICS

Diagonal	23", 58.4cm
Panel	AH-IPS LED, matte finish
Native resolution	1920 x 1080 (2.1 megapixel Full HD)
Aspect ratio	16:9
Brightness	250 cd/m <sup>2</sup> typical
Static contrast	1000:1 typical
Advanced contrast	5M:1
Response time	4ms
Viewing zone	horizontal/vertical: 178°/178°, right/left: 89°/89°, up/down: 89°/89°
Colour support	16.7mIn 8bit (6bit + Hi-FRC)
Horizontal Sync	24 - 80KHz
Vertical Sync	56 - 75Hz
Viewable area W x H	509.2 x 286.4mm, 20 x 11.3"
Pixel pitch	0.265mm
Colour	matte, black

## 02 INTERFACES / CONNECTORS / CONTROLS

Signal input	VGA x1 DVI x1 HDMI x1
HDCP	yes

## 03 FEATURES

Blue light reducer	yes
OSD languages	EN, DE, FR, ES, IT, PT, CN, RU, JP
Control buttons	Power, Menu, +/- Volume, -/ ECO, Auto
User controls	luminance (contrast, brightness, i-style Colour, ACR, ECO), image steep (clock, phase, H. position, V. position, aspect), colour (gamma, colour temp.), OSD setup (H. position, V. position, OSD time out, language), extra (reset, DDC/CI, input select, OD, HDMI audio, opening logo, information), volume, auto adjust
Speakers	2 x 2W
Convenience	Kensington-lock™ prepared, DDC/CI, DDC2B, Mac OSX

## 04 MECHANICAL

Display position adjustments	height, pivot (rotation), swivel
Height adjustment	130mm
Rotation (PIVOT function)	90°
Swivel stand	90°; 45° left; 45° right
Tilt angle	20° up; 4° down
VESA mounting	100 x 100mm

## 05 ACCESSORIES INCLUDED

Cables	power, DVI, Audio
Other	quick start guide, safety guide

## 06 POWER MANAGEMENT

Power supply unit	internal
Power supply	AC 100 - 240V, 50/60Hz
Power usage	24W typical, 0.5W stand by

## 07 SUSTAINABILITY

Regulations TCO, CE, TÜV-Bauart, VCCI-B, Energy Star , CU

Energy efficiency class A

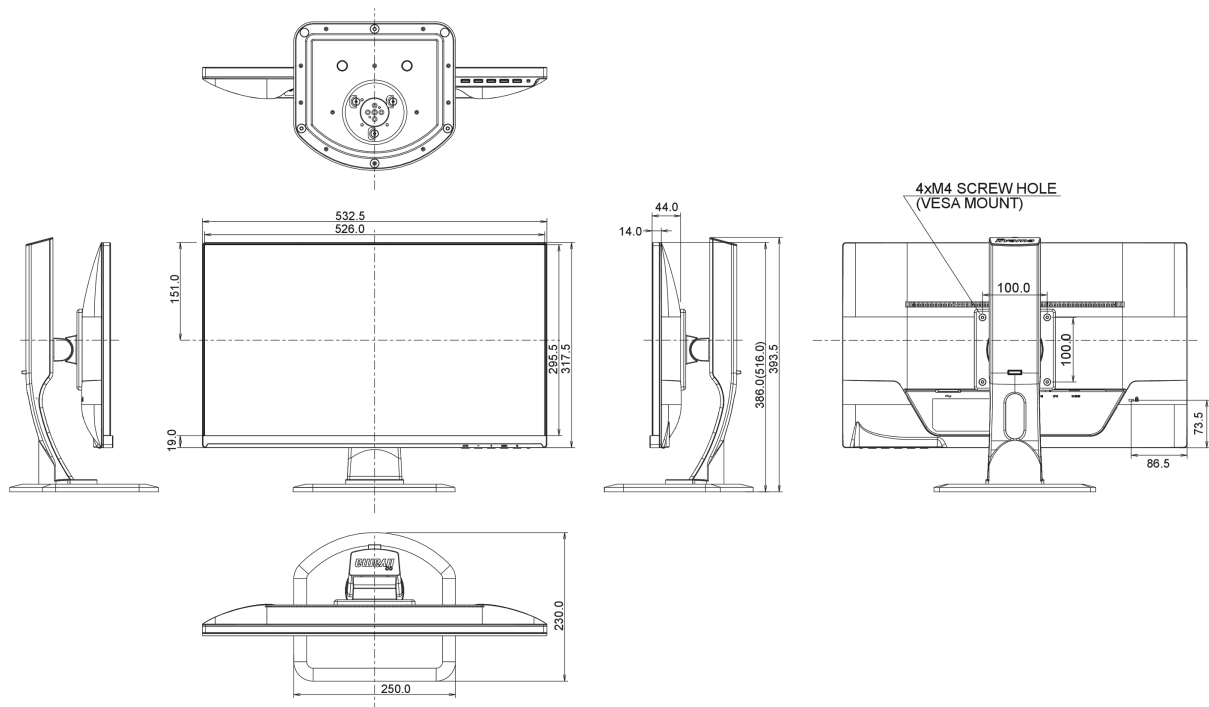
EPEAT Silver

EPEAT is a comprehensive environmental rating that helps identify greener computers and other electronic equipment. The Silver certification means the monitor meets all required criteria plus at least 50% of the optional requirements. EPEAT Silver is valid in countries where iiyama registers the product. Please visit [www.epeat.net](http://www.epeat.net) for the registration status in your country.

## 08 DIMENSIONS / WEIGHT

Product dimensions W x H x D 532.5 x 386 (516) x 230mm

Weight (without box) 5.4kg



All trademarks and registered trademarks acknowledged. E & O E. Specification subject to change without notice. All LCD's comply with ISO-9241-307:2008 in connection with pixel defects.

© IIYAMA CORPORATION. ALL RIGHTS RESERVED